

DESCRIZIONE - DESCRIPTION

Valvola a sfera con filtro Y, F/F farfalla rossa.

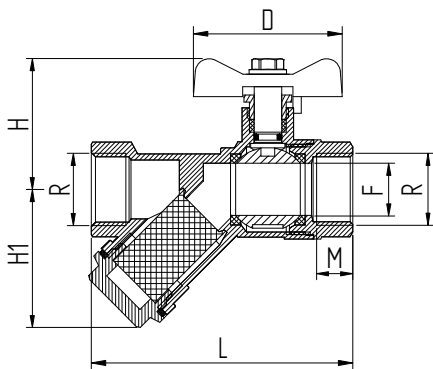
Ball valve FF with filter. Red butterfly handle.



CARATTERISTICHE - FEATURES

- Corpo, manicotto e sfera, in ottone CW617N.
- Premistoppa e asta in ottone CW614N
- Sfera lavorata con utensile in diamante, cromata.
- Sedi in P.T.F.E. vergine.
- Guarnizione tenuta asta: O-ring in gomma NBR e anello in PTFE.
- Leva di comando in alluminio rossa.
- Filtro in acciaio INOX aisi 304
- Finitura superficiale sabbiata nichelata, filettature gialle
- Filettature ISO 228/1
- PN 20: TEMP. : -20°C ÷ 120°C
- Brass CW617N body, bonnet and ball.
- Brass CW614N stuffing box and stem
- Ball ground by diamond-tipped tool, chromium plated.
- Virgin P.T.F.E. seats.
- Stem tightness :NBR rubber o-ring and PTFE ring.
- Red aluminium lever.
- Stainless steel aisi 304 basket strainer
- Nickel plated finishing with yellow threads.
- Threading to ISO 228/1.
- PN 20: TEMP. : -20°C ÷ 120°C

DIMENSIONI PRINCIPALI - LEADING DIMENSIONS



R	1/2"	3/4"	1"
D	54	54	70
H	0	0	0
H1	0	0	0
L	76	90.5	103
M	11	12	14
F	15	20	25
Filtro µm	400	400	400

PRESSIONI DI ESERCIZIO A MAX 80°C - WORKING PREASSURES AT 80°C

PN 20	*	*	*				p.s.i. 300
	1/2"	3/4"	1"	1 1/4"	1 1/2"	2"	